

## Mini™ Series Tankless Electric Water Heaters

› Compact point-of-use model for warm water hand washing at a sink

### Features

- › Continuous supply of warm water on demand
- › High limit switch with manual reset
- › Easy installation 3/8" O.D. flex connections
- › Engineered in Germany to be the best
- › Exclusive design prevents dry firing
- › No T & P relief valve needed (Check local code)
- › 7 year leakage/3 year parts warranty
- › Comes complete with wire pigtail
- › Advanced Nichrome wire heating element
- › Correctly sized aerator supplied with unit
- › No standby heat loss with tankless design
- › 99% efficiency
- › Flow switch activated for virtually silent operation
- › Mounts on wall at point-of-use
- › Cold water only line needed to be run to lavatory
- › Compact and designed to be visible or hidden in cabinet
- › Compatible with sensor actuated or metered faucets
- › Tankless design prevents Legionella bacteria growth
- › Made in the USA



- › Mounts with water connections up or down
- › Mounts above or below fixture

### Applications

**Commercial > Industrial > Institutional**

- › Office buildings
- › Stores
- › Malls
- › Warehouses
- › Gas stations
- › Schools
- › Hotels/Motels
- › Restaurants
- › Manufacturing facilities
- › Commercial condominiums

**Residential**

- › Bathroom sinks
- › Kitchen sinks
- › Laundry areas
- › Cabins/cottages

**Cold water supply input only**

### Models

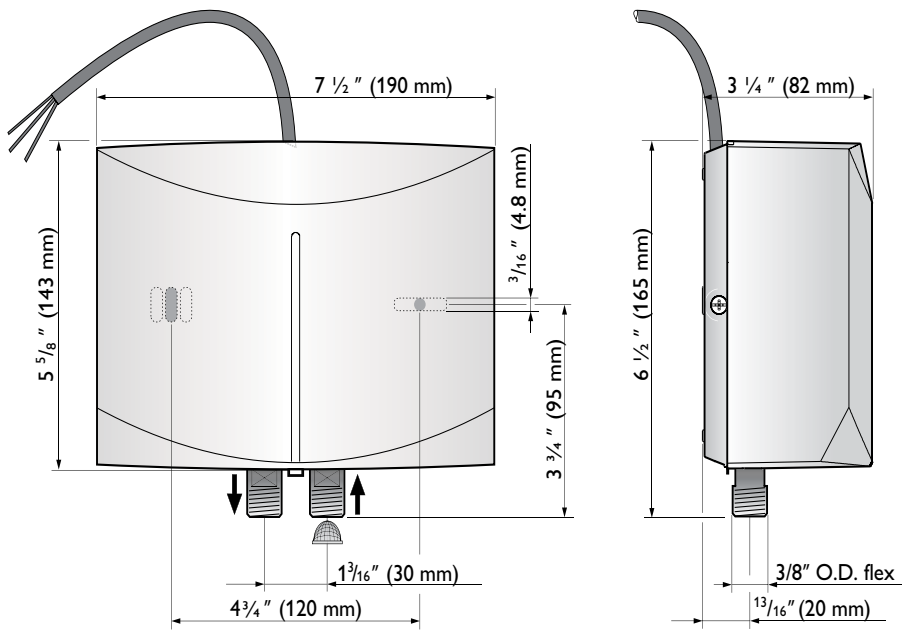
Model	Phase	Voltage	kW	Amps	Circuit Breaker	Minimum Wire Size	Temperature Rise °F (GPM = kW x 6.83 / Δt)			
							0.32 GPM	0.50 GPM	0.75 GPM	1.00 GPM
Mini™ 2-1	single	120 V	1.8 kW	15 A	20 A	12 AWG	42	-	-	-
Mini™ 2.5-1	single	120 V	2.4 kW	20 A	30 A	10 AWG	-	33	-	-
Mini™ 3-1	single	120 V	3.0 kW	25 A	30 A	10 AWG	-	41	-	-
Mini™ 3.5-1	single	120 V	3.5 kW	29 A	40 A	10 AWG	-	48	32	-
Mini™ 4-2	single	240 V	3.5 kW	14.6 A	20 A	12 AWG	-	48	32	-
	single	208 V	2.6 kW	12.7 A	20 A	12 AWG	-	37	25	-
Mini™ 6-2	single	240 V	5.7 kW	23.8 A	30 A	10 AWG	-	-	-	39
	single	208 V	4.3 kW	20.6 A	30 A	10 AWG	-	-	-	32

Mini™ 2-1 is internally restricted to 0.32 GPM. Mini™ 2-1, 2.5-1, 3-1 ship with a 0.5 GPM pressure compensating flow reducer/aerator that should be installed. Mini™ 3.5-1, 4-2 ship with a 0.66 GPM pressure compensating flow reducer/aerator that should be installed.

Mini™ Model	Mini™ 2-1	Mini™ 2.5-1	Mini™ 3-1	Mini™ 3.5-1	Mini™ 4-2	Mini™ 6-2
Part number	231045	232098	220816	232099	222039	220817
Weight (lbs/kg)	3.44 / 1.56	3.44 / 1.56	3.44 / 1.56	3.44 / 1.56	3.44 / 1.56	3.44 / 1.56
Min. flow to activate (gpm / l/min)	0.21 / 0.80	0.40 / 1.5	0.40 / 1.5	0.40 / 1.5	0.40 / 1.5	0.77 / 2.90
Operating Pressure	Min. 30 psi, Max. 150 psi					
Dimensions (in / mm)	HEIGHT 6½"(165 mm) x WIDTH 7½"(190 mm) x DEPTH 3¼"(82 mm)					
Cover Material and Color	White ABS					



# Dimensions



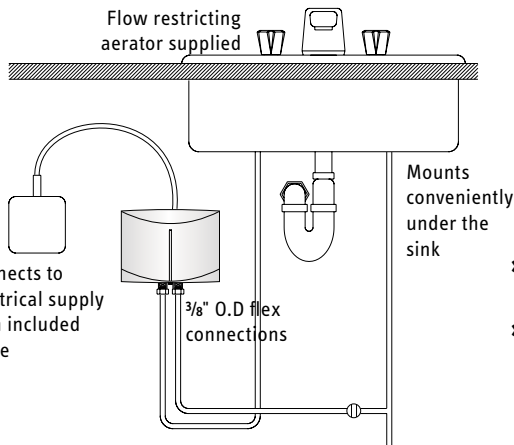
Intertek

Certified to ANSI/UL Std. 499

Conforms to CAN/CSA

E335-1 & E335-2-35

**ISO 9001**  
CERTIFIED



- › Suitable for warm water hand washing at a single sink
- › Mini models are for cold water input only



Tested and certified by WQA against NSF/ANSI 372 for lead free compliance.

# Specification

The tankless electric water heater shall be equipped with a bare wire nichrome type heating element housed in fiberglass reinforced high temperature plastic containment. The housing of the unit shall be made of high impact polycarbonate plastic. The flow switch that operates the heating element shall be of the mechanical pressure differential type. The unit shall be equipped with a safety high-limit switch with manual reset. The water connections shall be designed for standard 3/8" O.D. flexible braided stainless steel hose type connectors. The unit shall be mounted with water connections facing either top or bottom only. The units shall ship with a AWG #12 wire harness with a length of 2 ft. The unit shall conform to ANSI ANSI/UL Std. 499 and be certified to CAN/CSA E335-1 & E335-2-35.

Engineer/Architect _____	Date _____			
Job Name/Customer _____	Location _____			
Contractor _____	Representative _____			
Qty	kW	Voltage	Amps	GPM
Mini™ model _____	_____	_____	_____	_____